



LED WIDOWSILL LIGHT

LSL01

Advantages:

- ◆ Nice integrated die-cast aluminum body, good heat dissipation
- ◆ White light & static colors, color changing/tunable
- ◆ IP66 waterproof, with electrostatic resistance and lightning protection

Applications:

Widely apply in windowsill, hotel etc

Product specification:

Light Source:	Cree
Light Color:	1800-7500K Single color/RGB/RGBW
Pixel:	1
LED Type:	2W Cree
LED QTY:	3 PCS
Power:	6W
Beam Angle:	PMMA 2X270°
Lamp Dimension:	135X59X89mm
Input Voltage:	DC24V
Control Mode:	-
Light Material:	Die-cast aluminum
Surface Finish:	Powder Spraying Technology, Coated Paint
IP Grade:	IP66
Lamp Lifespan:	50000 hrs
Working temperature:	-40 ~ 70 °C
Storage temperature:	-35 ~ 50°C

Product Features:

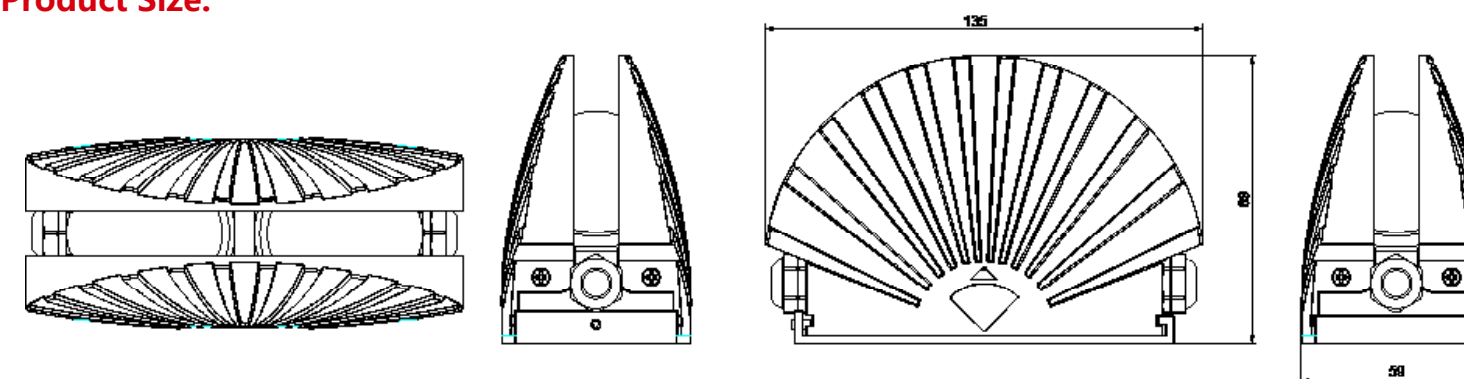
Single color icon



Full color icon



Product Size:



Specification:

Model No.	Casing	Light Source	Color	Working Voltage	Power
HYH-LSL01D	Alum die-casting	4PCS LED	Single color	DC24V	6W
HYH-LSL01Q	Alum die-casting	6PCS LED	Single color	DC24V	12W